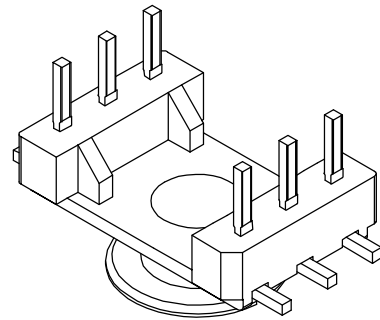
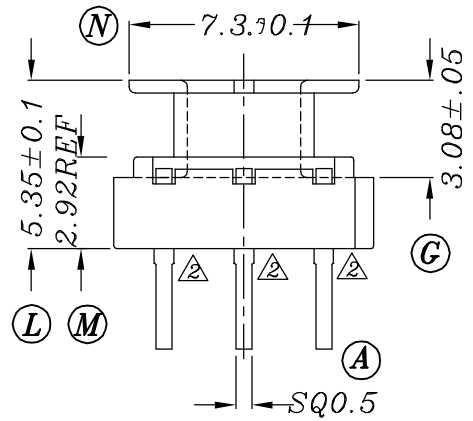
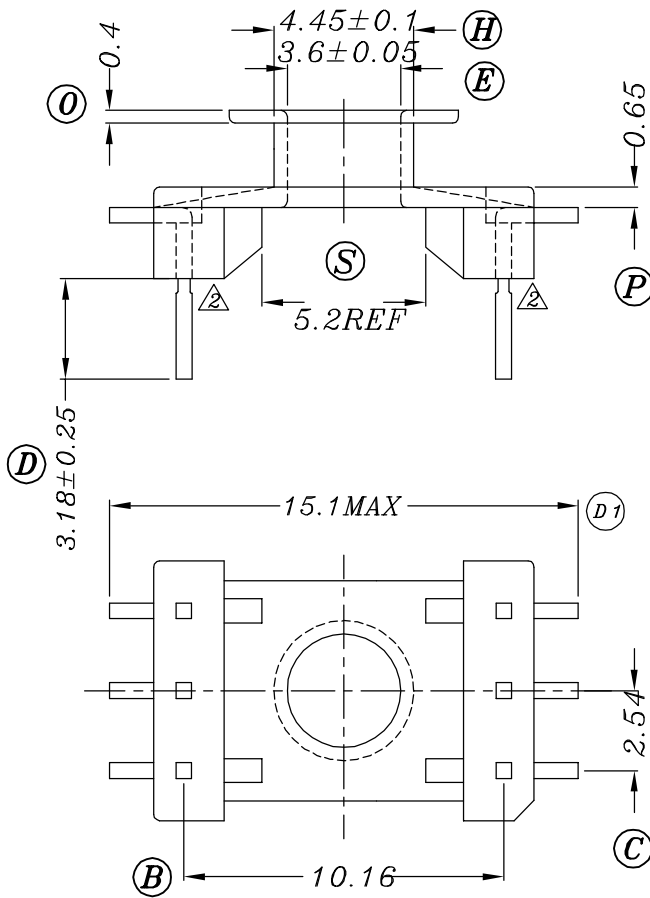
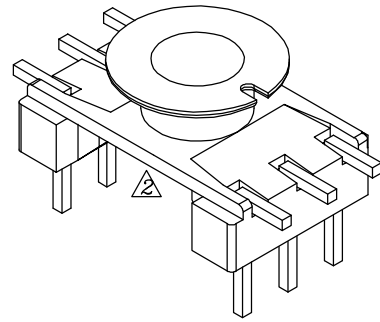
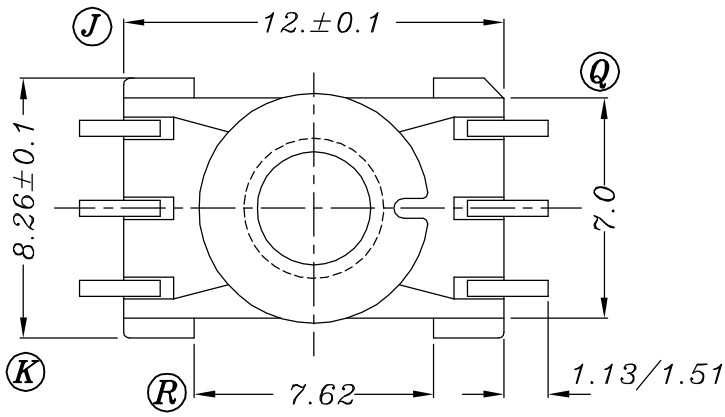


BSMDER9.5



REV	REVISION RECORD	DATE	REV	REVISION RECORD	DATE		
A			C				
B			D				
NAME	ER9.5 (3+3P)	MATERIAL	LCP E4008	SCALE	3/1	ANGLE	±1°
DRAWING NO.	BSMDER9.5	PIN	CP WIRE	UNIT	m/m	REV	A
MATERIAL TOLERANCE OF PIN PITCH $\pm \text{Ø} 20$							
PIN TENSION LOAD		kg MN	UL REC: 94V-0				
TOLERANCE: 0<L≤4: ±0.2 4<L≤16: ±0.3 16<L≤63: ±0.4							